

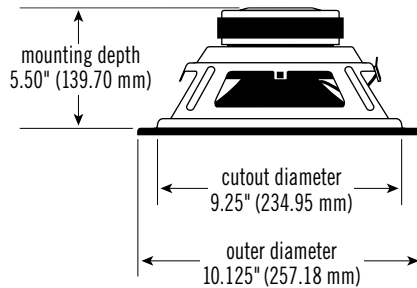
Infinity *Reference 1020w 10" Woofer – Technical Data*

CAR AUDIO

SPECIFICATIONS

DIAMETER:	10" (254.0 mm)
SENSITIVITY (2.83 V @ 1 m):	90 dB
POWER HANDLING:	250 W _{RMS}
FREQUENCY RESPONSE:	22 ~ 800 Hz
NOMINAL IMPEDANCE:	4 OHMS
VOICE-COIL DIAMETER:	2.0" (50.0 mm)

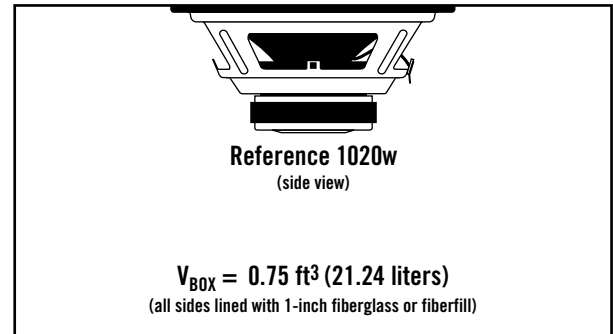
DIMENSIONS:



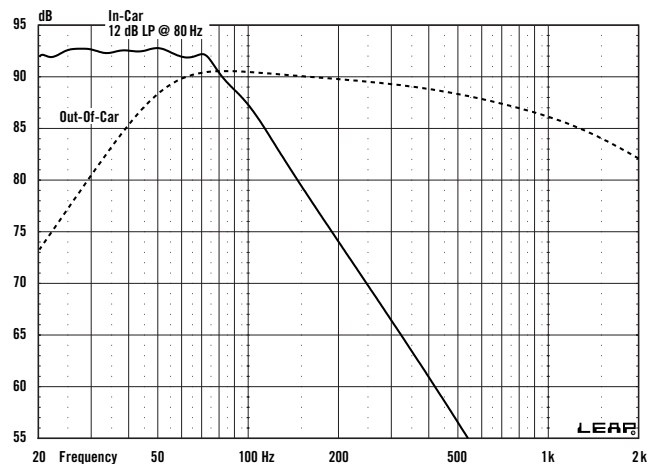
THIELE-SMALL PARAMETERS

VOICE COIL DC RESISTANCE:	R_{EVC} (OHMS)	3.44
VOICE COIL INDUCTANCE @ 1 kHz:	L_{EVC} (MH)	1.18
DRIVER RADIATING AREA:	S_D (IN ²)	54.25
	S_D (CM ²)	350.00
MOTOR FORCE FACTOR:	BL (TM)	10.45
COMPLIANCE VOLUME:	V_{AS} (FT ³)	1.87
	V_{AS} (LITERS)	52.90
SUSPENSION COMPLIANCE:	C_{MS} (μM/N)	295.59
MOVING MASS, AIR LOAD:	M_{MS} (GRAMS)	100.20
MOVING MASS, DIAPHRAGM:	M_{MD} (GRAMS)	96.35
FREE-AIR RESONANCE:	F_S (Hz)	29.24
MECHANICAL Q:	Q_{MS}	8.87
ELECTRICAL Q:	Q_{ES}	0.58
TOTAL Q:	Q_{TS}	0.54
MAGNETIC-GAP HEIGHT:	H_{AG} (IN)	0.31
	H_{AG} (MM)	7.92
VOICE-COIL HEIGHT:	H_{VC} (IN)	1.25
	H_{VC} (MM)	31.75
MAXIMUM EXCURSION:	X_{MAX} (IN)	0.47
	X_{MAX} (MM)	11.91

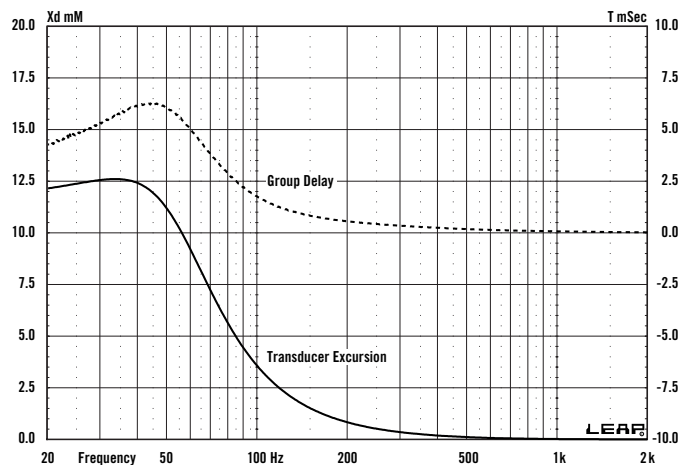
SEALED BOX VOLUME (INCLUDES DRIVER DISPLACEMENT)



SEALED FREQUENCY RESPONSE @ 2.83 V



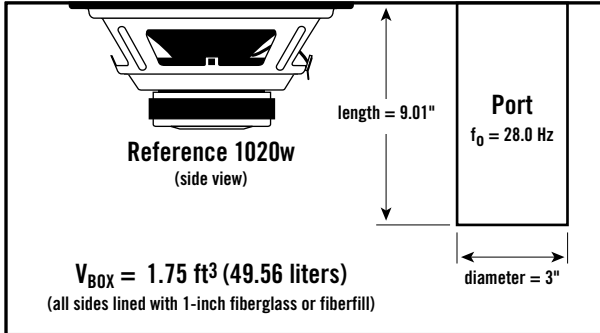
SEALED EXCURSION/GROUP DELAY @ 250 W



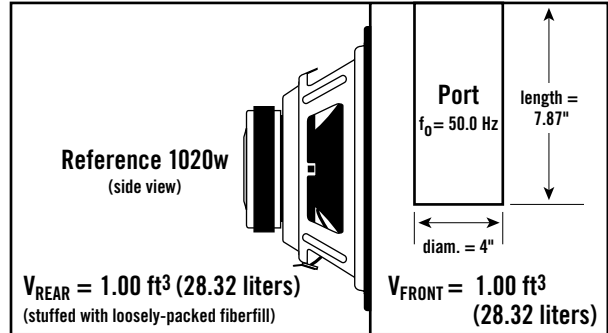
Infinity *Reference 1020w 10" Woofer – Technical Data*

CAR AUDIO

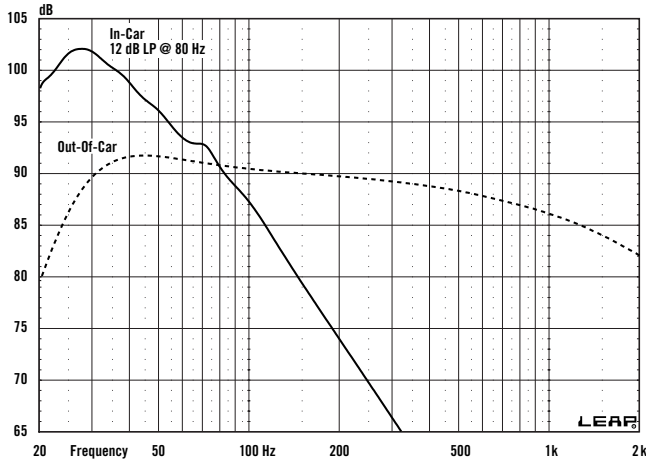
VENTED BOX VOLUME (INCLUDES DRIVER/POROT DISPLACEMENTS)



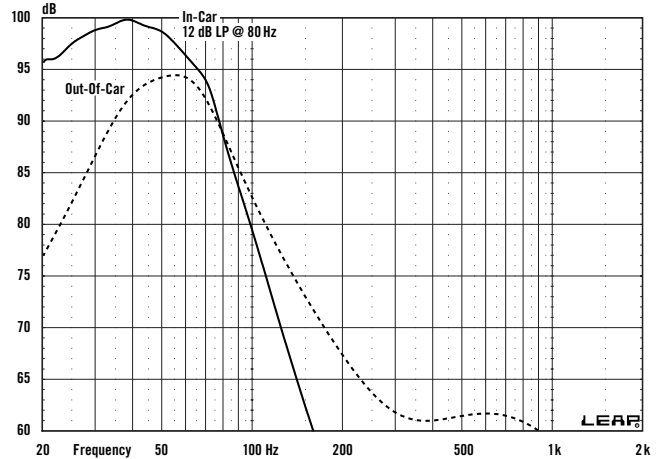
SEALED BANDPASS BOX VOLUME (INCLUDES DRIVER/POROT DISPLACEMENTS)



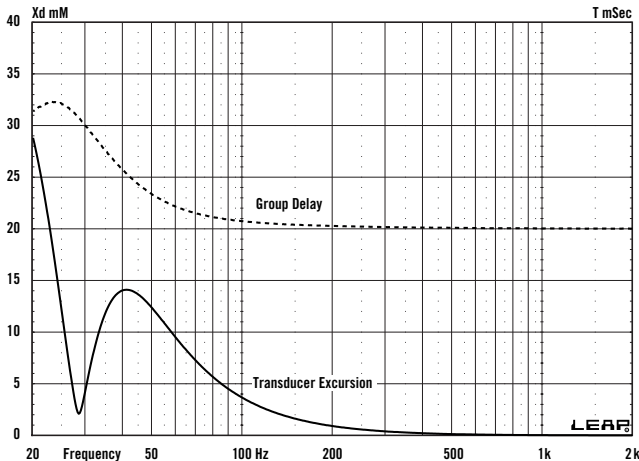
VENTED FREQUENCY RESPONSE @ 2.83 V



SEALED BANDPASS FREQUENCY RESPONSE @ 2.83 V



VENTED EXCURSION/GROUP DELAY @ 250 W



SEALED BANDPASS EXCURSION/GROUP DELAY @ 225 W

